

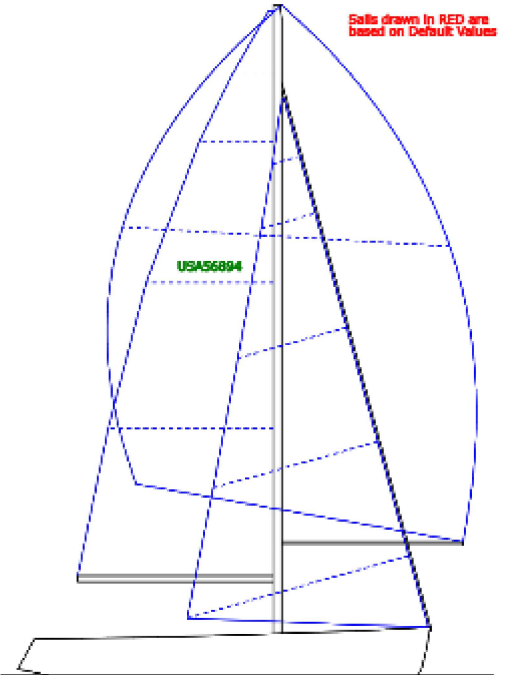
Pacifico USA56894

ORR Type: Offshore
Measurement: **Full Measured**
Valid Year: 2023

Certification #: US43094
Issue Date: 03-Apr-2023
Build Date: 01-Jan-2005
Measure Date: 20-Mar-2016
Float Date: 01-Jan-1960

Class: Beneteau 44.7
Builder: Beneteau
Rig Type: Fractional Sloop
Prop Type: 2 Blade Folding Strut Drive
Comment:
Keel Type: Fixed Keel
Spinnaker: Asymmetrical only flown with spinnaker pole
Hull Const: Cored
Mast: Carbon
Const:
Offset File: F222.OFF

LOA: 43.799 ft
Beam Max: 13.009 ft
Crew: 2346 lbs
Stab Index: 121.4 °
PIPA: 0.0581 ft²
ABS Plan:
ECE: ft
Canting Angle: 0.0 °
List Angle: 0.0 °
Water Ballast: lbs
Trim Water Ball: ft³
Stored Power:



Measurement Trim	Genoa/Jib	Mainsail/Mast	Mizzen
SFFP: 1.056 ft	IG: 57.365 ft	GO: 0.965 ft	EB: ft
SAFP: 41.870 ft	J: 15.748 ft	MW: 0.873 ft	PY: ft
FFM: 5.020 ft	SFJ: ft	P: 58.711 ft	EY: ft
FAM: 3.832 ft	JLP: 24.311 ft	E: 20.669 ft	HBV: --- ft
SG: 1.025	FSP: 0.230 ft	HB: 0.525 ft	MGTY: --- ft
Disp Empty: 21114 lbs	JLU: 57.021 ft	MGT: 4.331 ft	MGUY: --- ft
LCB: 23.488 ft	JH: 0.295 ft	MGU: 7.841 ft	MGMV: --- ft
VCGD: 0.220 ft	JMGT: 3.018 ft	MGM: 13.451 ft	MGLY: --- ft
VCGM: 0.335 ft	JMGU: 5.938 ft	MGL: 17.454 ft	Area Mizzen: ft ²
Wetted Area: 391.8 ft ²	JMGM: 11.909 ft	Area Main: 740.7 ft ²	MDT1Y: ft
Draft: 8.619 ft	JMGL: 18.045 ft	Main Wt: 100.4 lbs	MDL1Y: ft
LSM0: 38.799 ft	JLE: 54.954 ft	MDT1: 0.472 ft	MDL2Y: ft
RMC: 1757.9 ft·lbs	Area Jib: 698.7 ft ²	MDL1: 0.873 ft	MDT2Y: ft
Sink/Float: 1535.2 lb/in	Fstay Adj: Via Backstay	MDT2: 0.446 ft	TLY: ft
MTCT: 2901.72 ft·lbs/in	Inner Fst Adj: None	MDL2: 0.682 ft	
Sailing Trim	Whisker Pole: <input type="checkbox"/>	TL: 1.476 ft	Large Roach Headsail
FF: 4.980 ft	Outtrigger: <input type="checkbox"/>	Mast Wt: lbs	ILRH: ft
FA: 3.537 ft	Spinnaker(s)	Mast CG: ft	JLRH: ft
Disp Sailing: 24672 lbs	ISP: 65.371 ft	BAS: 6.020 ft	LRHLP: --- ft
LCB: 23.960 ft	SPL: 19.177 ft		LRHLU: --- ft
VCGM: 0.725 ft	SL: --- ft	Mizzen Staysail	LRHHB: --- ft
Wetted Area: 416.6 ft ²	SMW: --- ft	YSD: --- ft	LRHTW: --- ft
Draft: 8.799 ft	SF: --- ft	YSMG: --- ft	LRHUW: --- ft
Rated Length: 40.036 ft	Area Symm: 1720.5 ft ²	YSF: --- ft	LRHMW: --- ft
LSM1: 39.902 ft	ASLU: 70.112 ft	Area Staysail: ft ²	LRHQW: --- ft
LSM3: 40.515 ft	ASLE: 62.566 ft		LRHSHW: --- ft
LSM4: 44.278 ft	AMG: 34.580 ft		LRHF: --- ft
RM2: 1831.0 ft·lbs	ASF: 34.580 ft		LRHLE: --- ft
RM20: 1631.7 ft·lbs	Area Asym: 1911.7 ft ²		Area LRH: ft ²
RM40: 1278.5 ft·lbs	Propeller	EDL: 8.629 ft	ST1: 0.148 ft
RM60: 872.5 ft·lbs	Prop Dia.: 1.319 ft		ST2: 0.577 ft
RM90: 338.0 ft·lbs	Twin Prop Inst: <input type="checkbox"/>		ST3: 0.577 ft
LPS: 115.8 °			ST4: 0.361 ft
			ST5: 0.902 ft

Pacifico USA56894

Table of Boat Speed Polars (knots)* (at True Wind Angles)

True Wind Speed	6 kts	8 kts	10 kts	12 kts	16 kts	20 kts	24 kts
Opt Beat Angle	44.4°	43.5°	40.6°	38.3°	36.1°	35.8°	36.1°
Optimum Beat	5.48	6.54	6.96	7.13	7.30	7.43	7.51
52°	6.06	7.24	7.69	7.92	8.17	8.31	8.39
60°	6.51	7.58	7.97	8.18	8.43	8.57	8.66
75°	7.05	7.88	8.31	8.53	8.86	9.08	9.23
90°	7.44	8.18	8.58	8.88	9.31	9.60	9.81
110°	7.43	8.31	8.83	9.20	9.78	10.23	10.54
120°	7.20	8.10	8.67	9.15	9.94	10.50	10.91
135°	6.02	7.38	7.99	8.49	9.40	10.47	11.62
150°	4.43	5.72	6.93	7.74	8.76	9.67	10.78
165°	3.67	4.84	5.94	6.99	8.27	9.17	10.08
180°	3.40	4.51	5.56	6.53	7.97	8.88	9.72
Optimum Run	6.29	7.15	7.24	7.32	8.12	8.99	9.89
Opt Run Angle	132.7°	137.5°	146.6°	158.3°	170.9°	172.7°	171.2°

* Speed through the water. Available as a Performance Package from the Offshore Racing Association with detailed polar charts and files to upload into popular tactical programs. Go to: <https://offshoreracingrule.org/orr/polar-package>"

Table of Time Allowances (sec/mile)*

True Wind Speed	6 kts	8 kts	10 kts	12 kts	16 kts	20 kts	24 kts
Opt Beat Angle	44.4	43.5	40.6	38.3	36.1	35.8	36.1
Beat VMG	919.2	759.1	681.2	643.1	610.2	597.8	593.3
52°	593.8	497.1	468.0	454.4	440.6	433.0	429.1
60°	552.6	474.8	451.8	440.1	427.3	419.8	415.7
75°	510.9	456.7	433.1	422.0	406.3	396.5	390.1
90°	484.0	440.2	419.3	405.3	386.8	375.1	366.8
110°	484.4	433.4	407.7	391.5	368.1	352.1	341.4
120°	500.2	444.3	415.0	393.3	362.0	342.8	329.9
135°	596.4	487.6	450.3	424.2	382.9	343.7	309.9
150°	730.4	592.1	516.2	464.9	410.8	372.1	334.0
165°	814.6	660.4	575.7	511.4	435.3	392.7	357.2
Run VMG	843.4	683.7	596.1	529.4	448.9	403.8	368.2
Opt Run Angle	132.7	137.5	146.6	158.3	170.9	172.7	171.2

* Sec/mile rating assume gybing downwind when target angles are deeper than best VMG angles.

Pacifico USA56894

GPH Rating (SPM)

GPH	544.6
-----	-------

Ratings by Wind Speed (TCF)

	Light	Medium	Heavy
Closed Course	0.8484	0.9689	1.1410
WL 50/50	0.8195	0.9724	1.2068
WL 60/40	0.8264	0.9740	1.1842

Performance Metrics

SA/D Dnwind:	50.080
SA/D Average:	38.63
SA/D Upwind:	27.180
D/Length:	171.6
Ave Perf Screen:	22.500

General Ratings (TCF)

Ocean Non Spinnaker	0.9668
Offshore Offwind	0.9567

Performance Curve Scoring (PCS) Ratings (SPM)

	6kt	8kt	10kt	12kt	16kt	20kt	24kt
Closed Course	732.3	599.4	529.8	489.8	448.1	425.4	408.8
WL 50/50	899.9	734.4	647.1	593.7	535.2	505.6	485.0
WL 60/40	907.9	742.3	656.2	605.2	551.5	525.2	507.7
Newport to Bermuda	801.8	631.6	532.8	466.6	402.3	387.5	376.9
Marion to Bermuda	806.5	636.7	538.7	473.6	410.7	395.9	385.6

Custom Ratings (TCF) ORA works with OA's to create custom ratings for your race course and wind conditions.

<i>Chicago Mac Upwind</i>	0.9743	<i>California Offshore</i>	0.9547	<i>Acapulco WW/LW</i>	0.9727
<i>Chicago Mac AP</i>	0.9628	<i>Pacific Cup</i>	0.9484	<i>Acapulco Random</i>	0.9689
<i>Chicago Mac Offwind</i>	0.9567	<i>Transpac (Approx.)</i>	0.8304	<i>Acapulco WW/LW5</i>	0.9739
<i>Bayview Mac</i>	0.9681	<i>Puerto Vallarta</i>	0.9574	<i>Acapulco Stat Fit</i>	0.9735
		<i>Cabo San Lucas</i>	0.9544	<i>San Francisco Bay</i>	0.9687

Sails drawn in RED are based on Default Values

